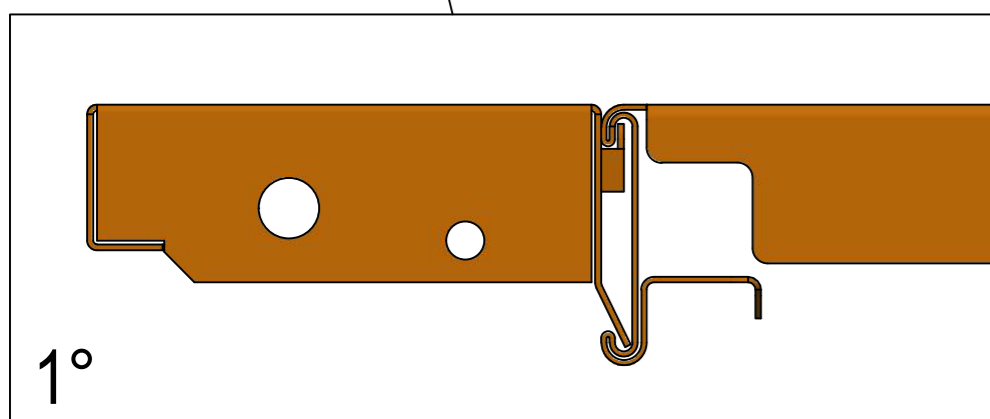
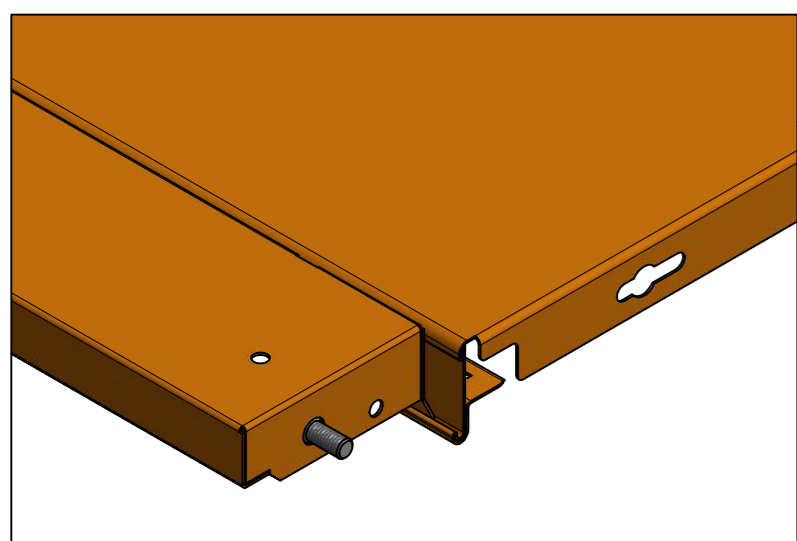


A(1:1)



1°

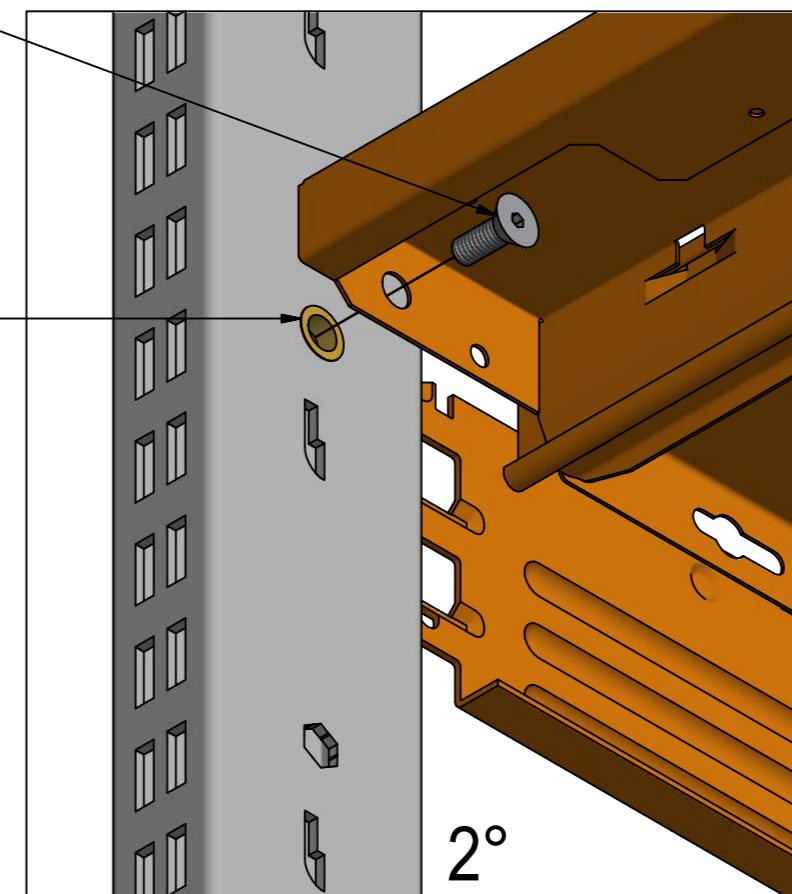
B(1:2)



SCREW M6X16 TSPEI

C(1:1.5)

THREADED  
INSERT M6



2°

D(1:2)

